

SKYING

FROM WASTE
TO INVEST

WWW.WATCO-STORE.COM

INTRODUCTION

FROM WASTE TO INVEST

We have illuminated our homes, streets and cities that resulted in displacing darkness beyond shadows. The more we use light to illuminate our world, the more we know about its features and learn more about the universe. However the more we reflect profoundly, the more we realize that what we have discovered is little and the great secrets of the universe are still hidden in darkness.

It is so difficult to imagine how marvelous the discovery was. from our small planet that revolves around a regular star reached the whole universe. With light we could see more than we can.. all what we know is because light revealed it.





LED HIGH BAY LIGHT



KEY FEATURES

- ✓ 90° (Optical 45°, 60°, 120°)
- ✓ Optional 0~10V Dimming
- ✓ Optional DALI 2.0
- ✓ IK10
- ✓ PC and AL Reflector
- ✓ Hook and Yoke Installation
- ✓ IP65

LIGHT DISTRIBUTION CURVE



120°



90°



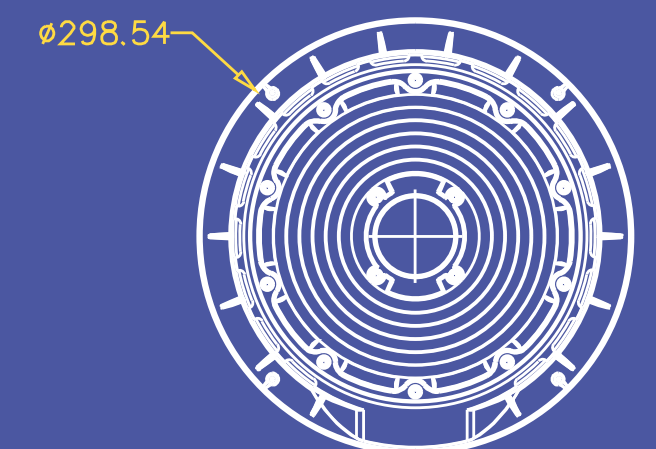
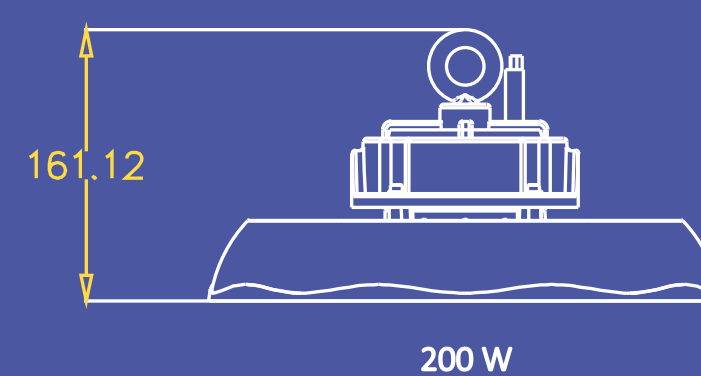
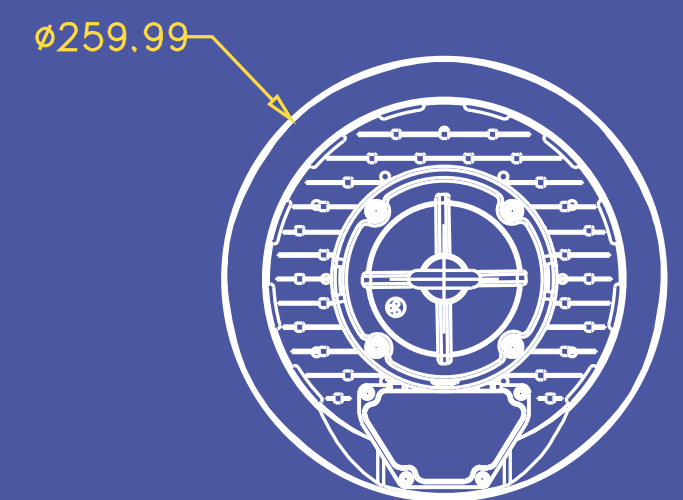
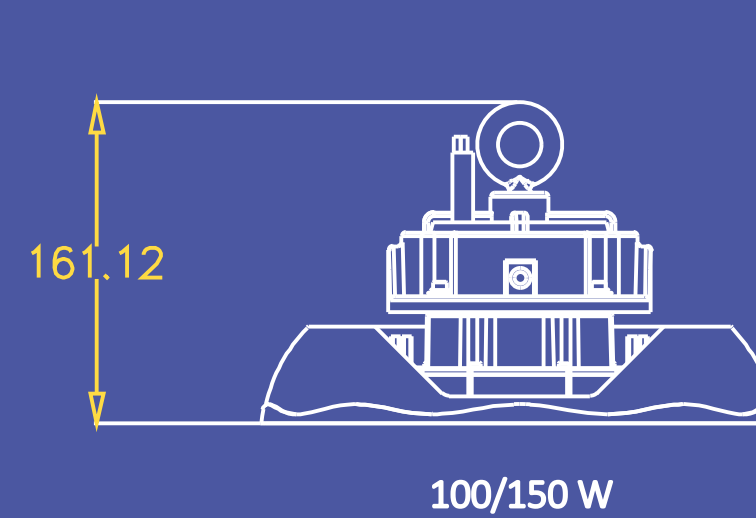
60°



45°

Remark:
120°/60° for Both sizes
45° for Dia.300*H160 mm only

DIMENSIONS MM





SPECIFICATION SHEET

OPTICAL SPECS

Lumen Efficacy 140Lm/W (Optional Max 210Lm/W).

CCT 4000K or 6500K.

CRI >80.

ELECTRICAL SPECS

Power 100, 150, 200 W.

Input Voltage 220~240 Vac.

Power Frequency 50/60 Hz.

Power Factor >0.95.

Total Harmonic Distortion <15%(@230V).

Insulation Grade Class I.

OTHER DETAILS

Lifespan ≥50,000 Hours.

Operating Temperature -30°C~50°C.

LED Driver Spec SOSEN.

LED Spec SMD 2835.

Optional Dimming DALI,0-10V,PWM,Smart Control Management System.

MECHANICAL SPECS

Color Black.

Lens PC.

Ingress Protection IP65.

Impact Resistance IK10.

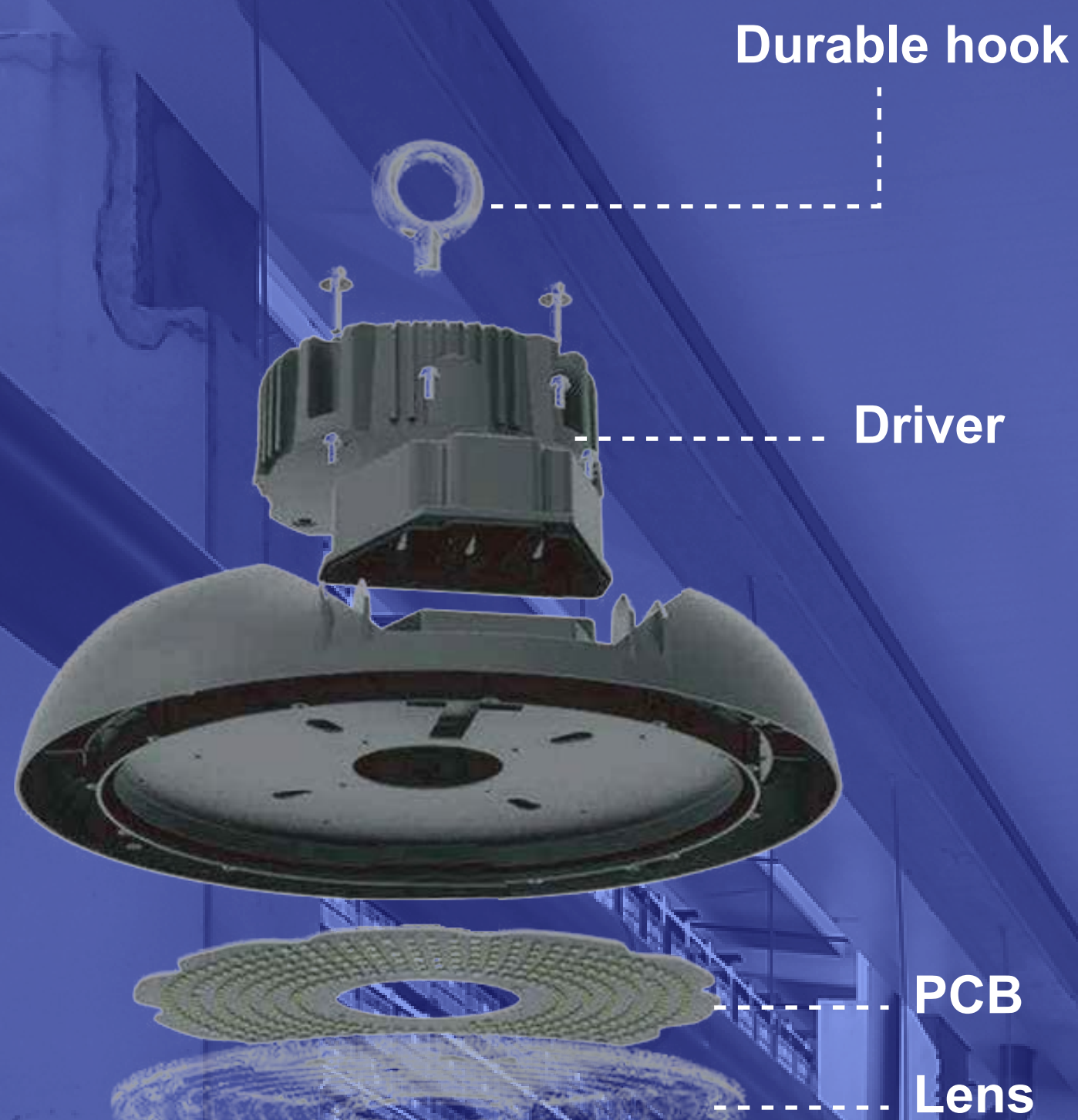
Material Housing:ADC12 Die-cast Aluminium Cover: Polycarbonate.



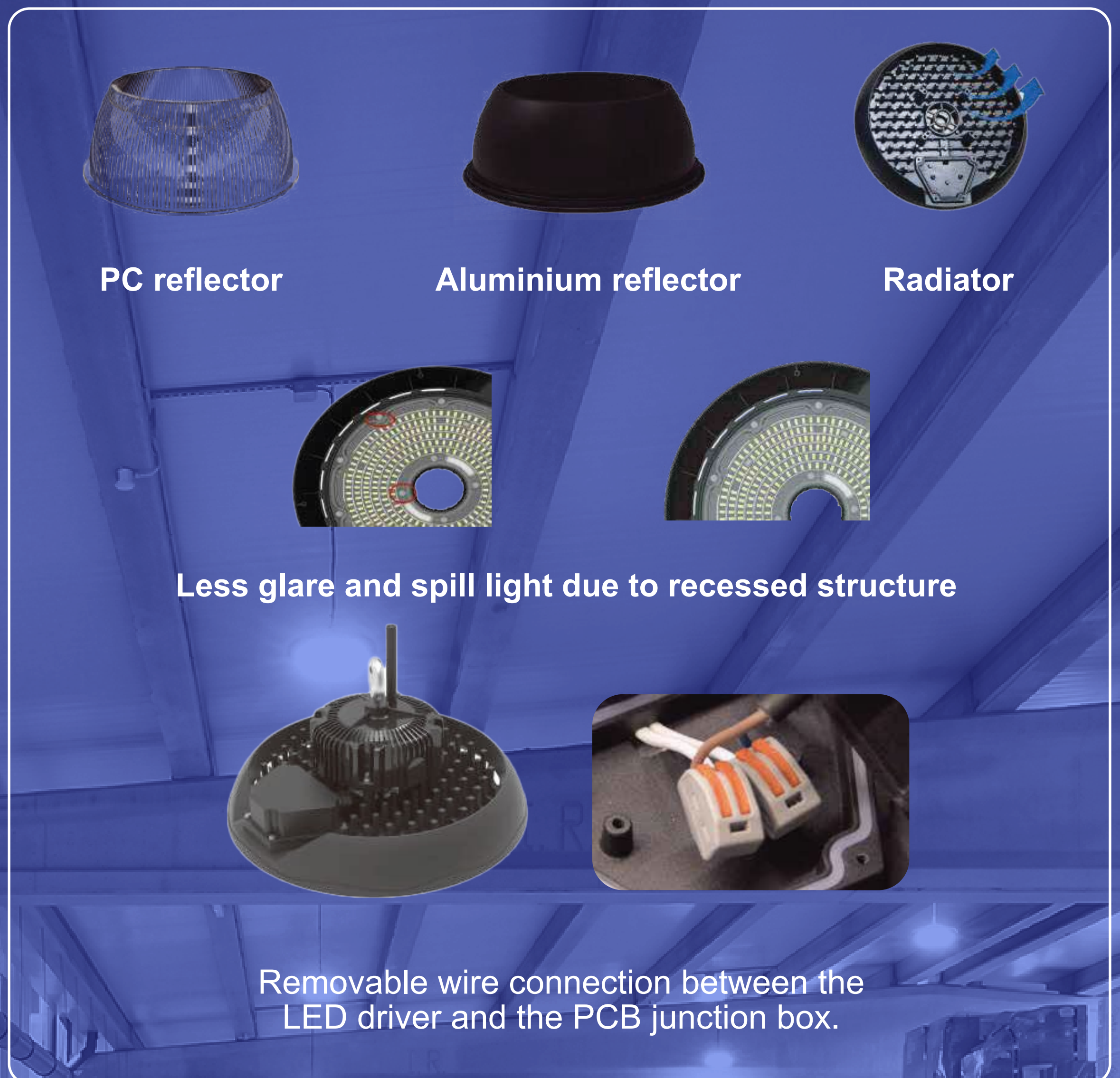
PACKAGE

Dimension (mm)	N.W.(KG)	G.W.(KG)	Package Size (mm)	Shipment Quantity
259.99*161.12	2.0	2.50	315*315*165	2240pcs/20'GP
298.54*161.12	2.6	3.15	365*365*165	1715pcs/20'GP

DETAILS

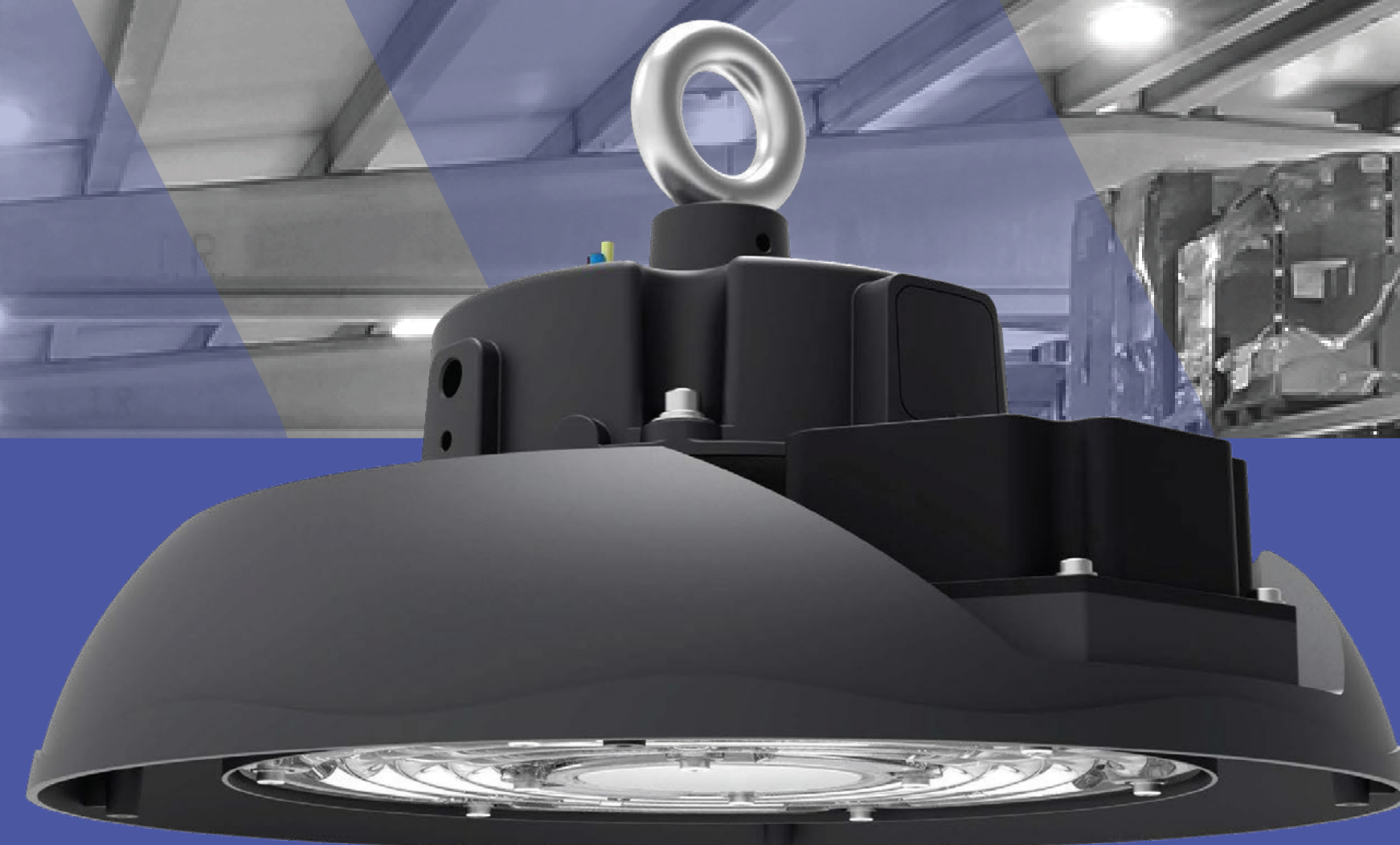


The outer ring and inner ring of the lens are tightly fixed to avoid the influence of lens deformation on optics



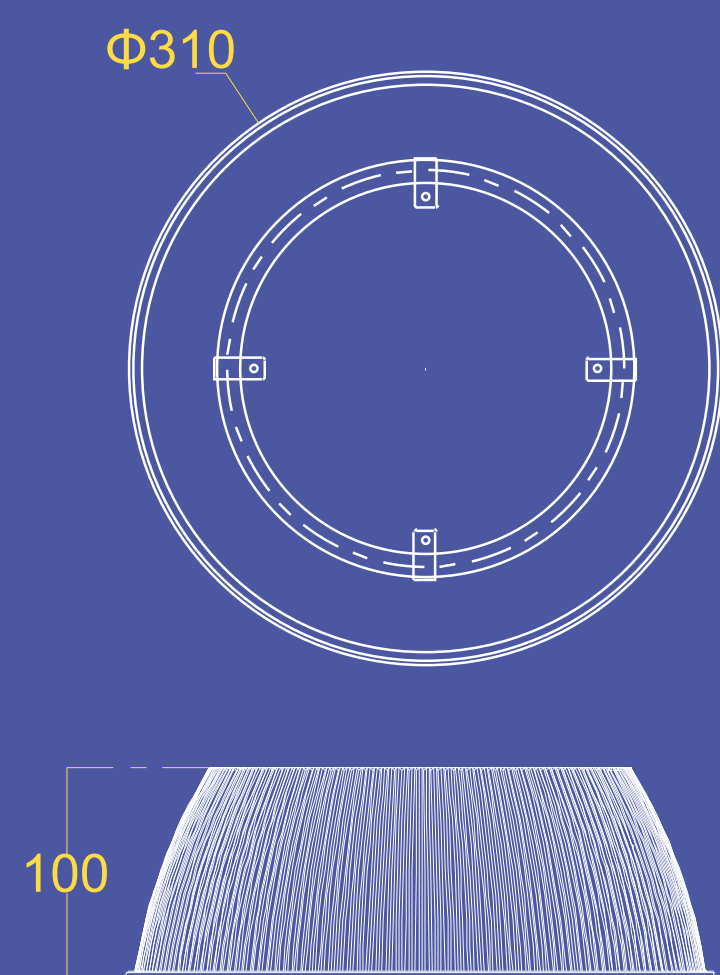


REFLECTOR

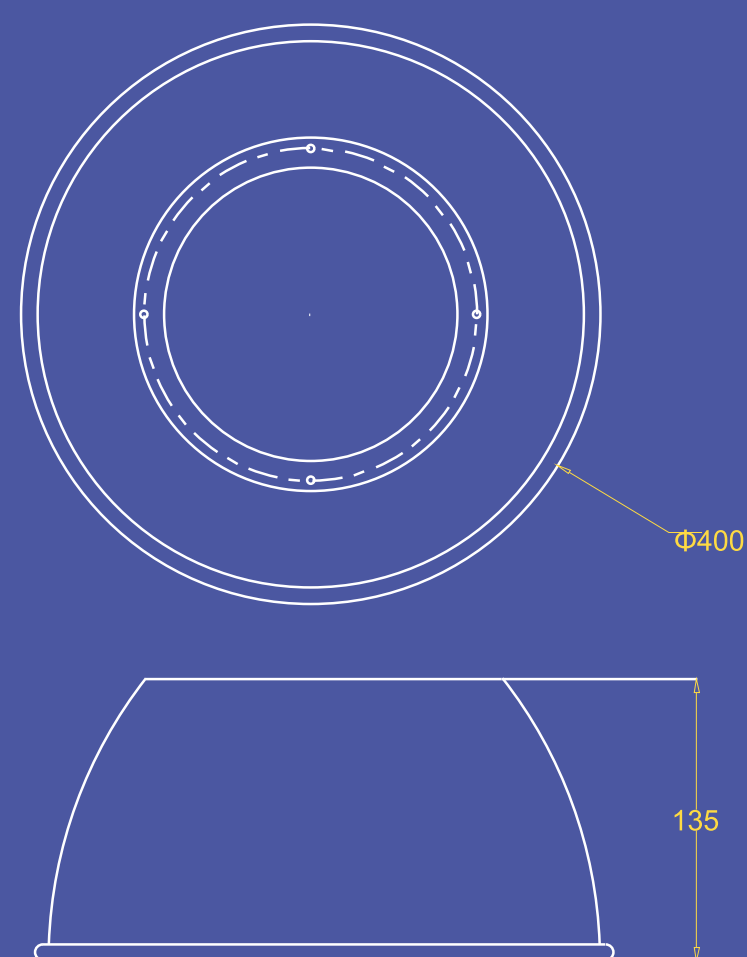


Dia259.99

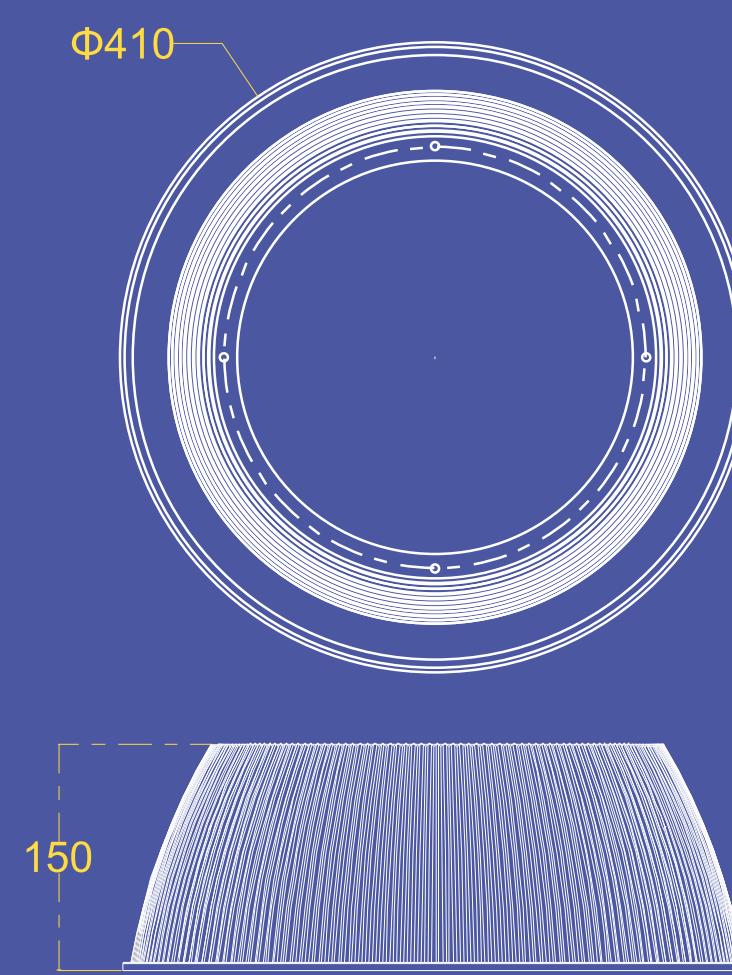
Dia298.54



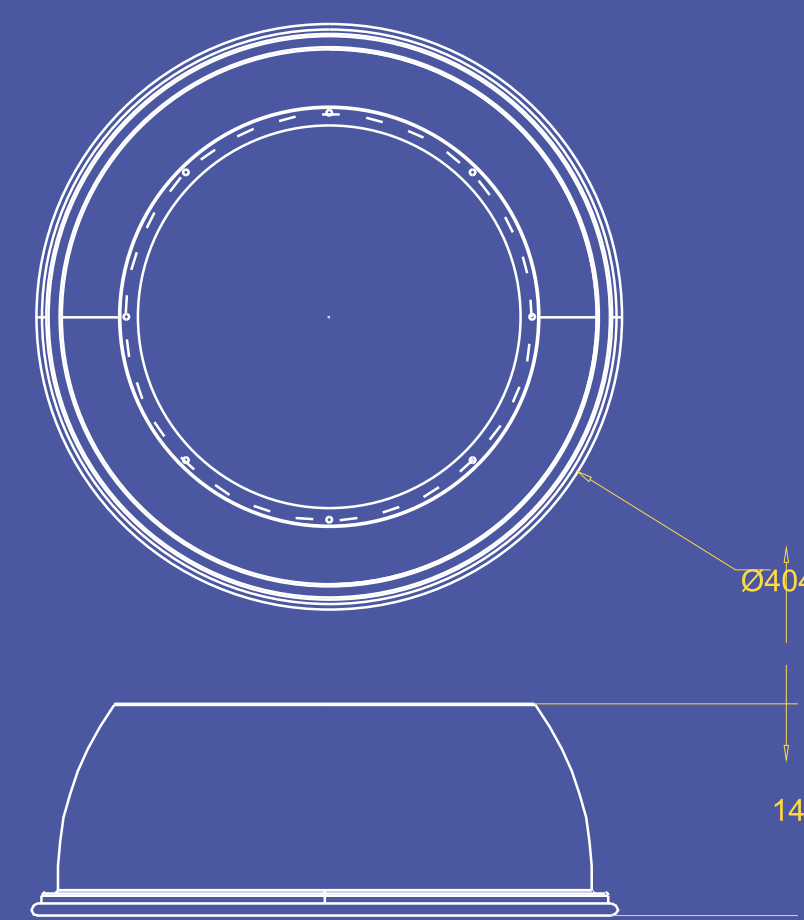
PC (90°)



AL (100°)



PC (90°)



AL (100°)



WHBD4-150-65-90-ZI



KEY FEATURES

- ✓ 90° (Optical 45°, 60°, 120°)
- ✓ IK10
- ✓ IP65
- ✓ Zhaga Interface
- ✓ Optional 0~10V Dimming
- ✓ PC and AL Reflector
- ✓ Plug & Play Zhaga Sensor
- ✓ Optional DALI 2.0
- ✓ Hook and Yoke Installation
- ✓ Plug & Play Emergency Kit

LIGHT DISTRIBUTION CURVE



120°



90°



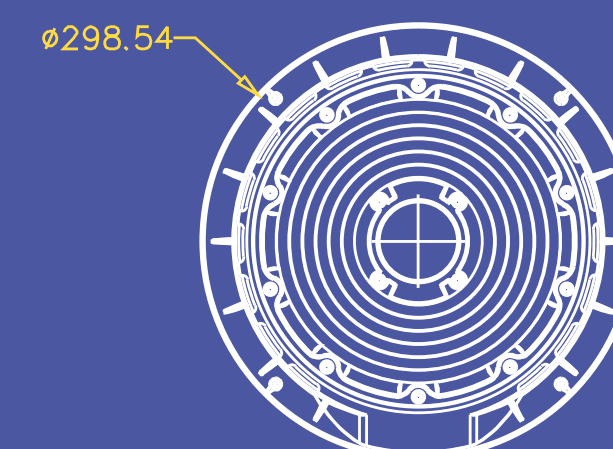
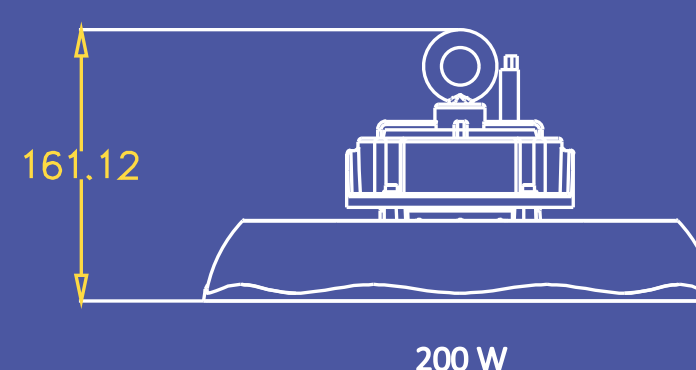
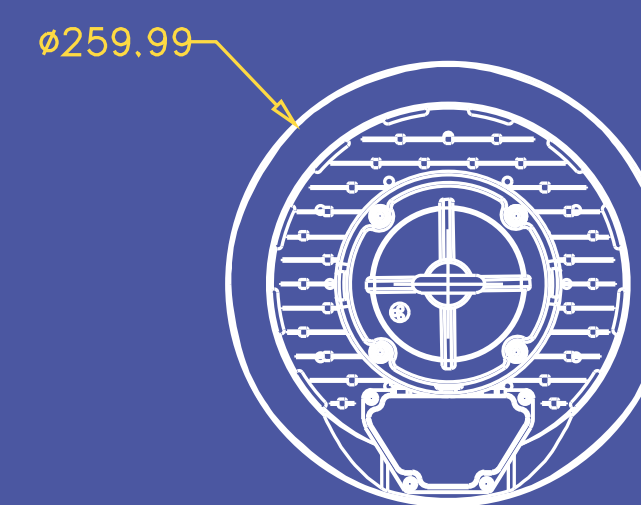
60°



45°

Remark:
120°/60°/90° for Both sizes
45° for Dia.300*H160 mm only

DIMENSIONS MM





SPECIFICATION SHEET



OPTICAL SPECS

Lumen Efficacy 140Lm/W (Optional Max 210Lm/W).

CCT 6500K (Optional 2700K~6500K).

CRI >80.

ELECTRICAL SPECS

Power 150 Watts (Optional 100~200 Watts).

Input Voltage 220~240 Vac.

Power Frequency 50/60 Hz.

Power Factor >0.95.

Total Harmonic Distortion <10%(@230V).

Insulation Grade Class I.

OTHER DETAILS

Lifespan ≥50,000 Hours.

Operating Temperature -30°C~50°C.

LED Driver Spec SOSEN.

LED Spec SMD 2835.

Optional Dimming DALI,0-10V,PWM,Smart Control Management System.

MECHANICAL SPECS

Color Black.

Lens PC.

Ingress Protection IP65.

Impact Resistance IK10.

Material Housing:ADC12 Die-cast Aluminium Cover: Polycarbonate.

PACKAGE

Dimension (mm)	N.W.(KG)	G.W.(KG)	Package Size (mm)	Shipment Quantity
259.99*161.12	2.0	2.50	315*315*165	2240pcs/20'GP
298.54*161.12	2.6	3.15	365*365*165	1715pcs/20'GP

CHARACTERISTICS



✓ Default factory settings: Detection range: 100%, Hold time: 5 seconds, Daylight sensor disabled, Stand-by period: 0 seconds, Stand-by dimming level: 10%.

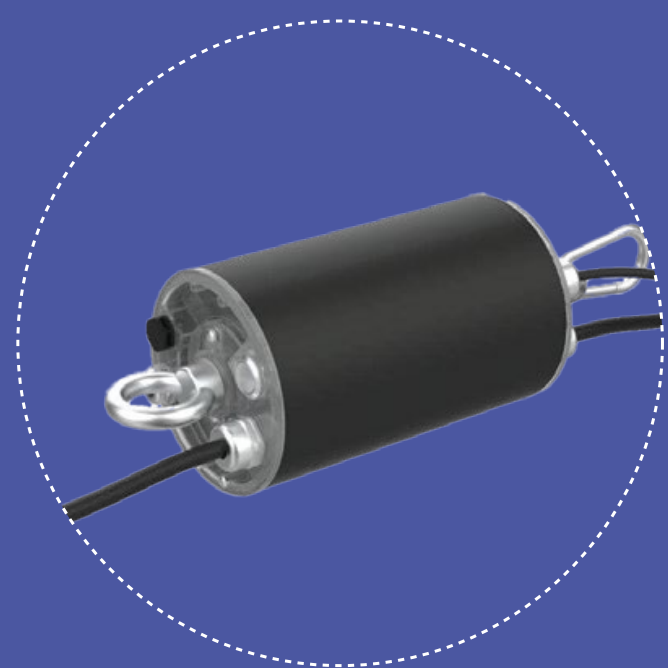
✓ Zhaga-compatible device with flexible sensor options. Wireless connectivity includes Zigbee, Bluetooth, and 2.4G group

 Zhaga

Plug & Play Zhaga Sensor

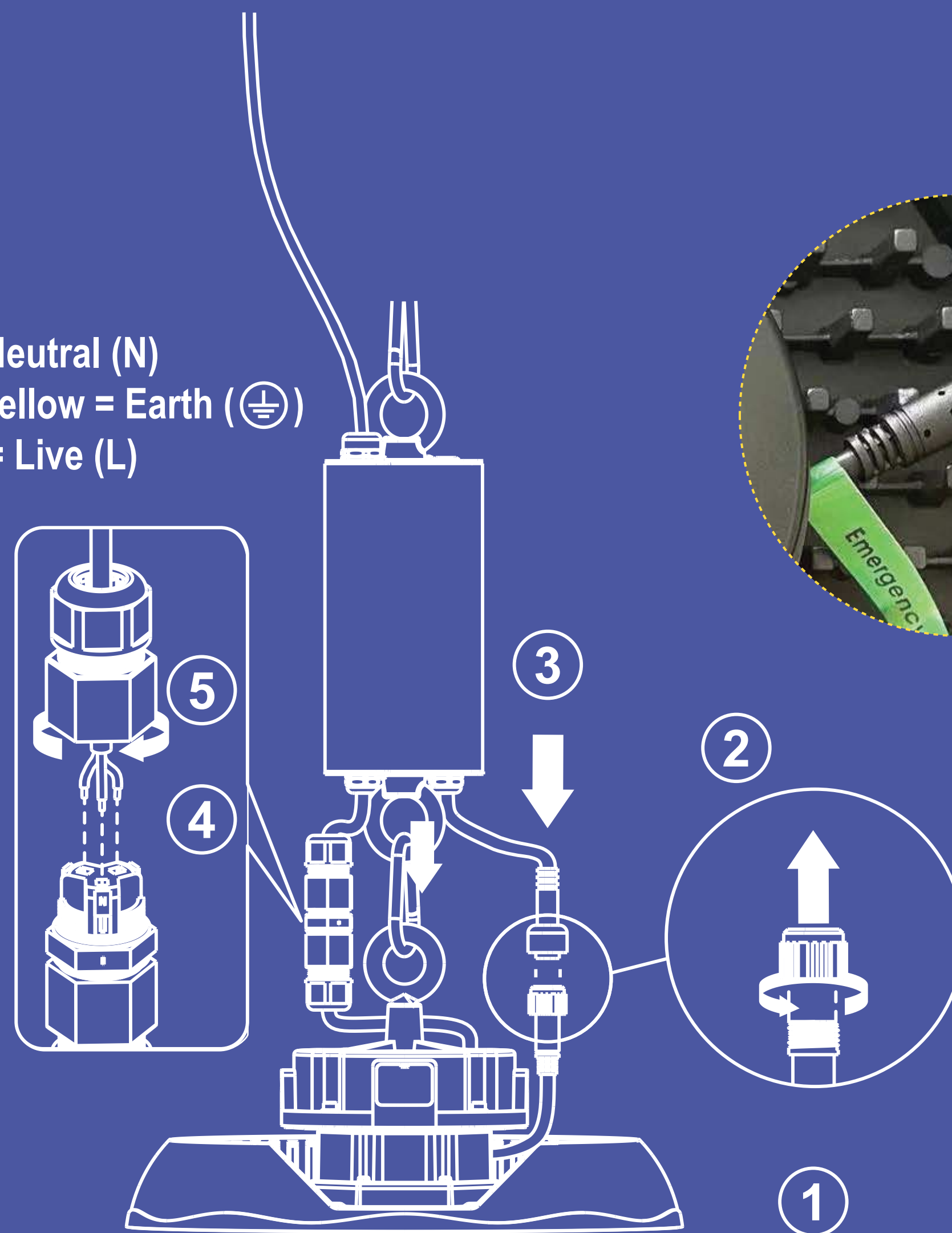


CHARACTERISTICS



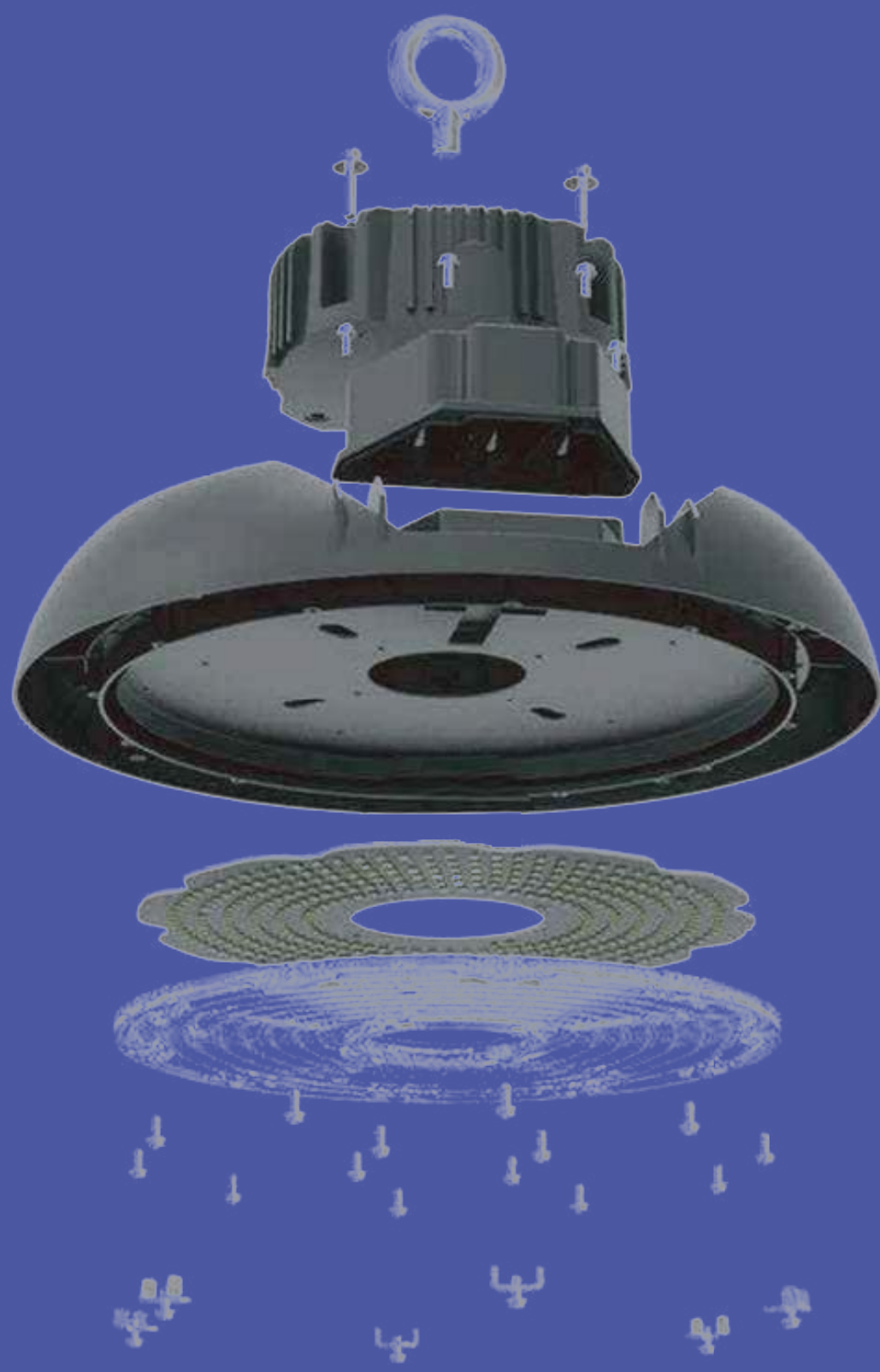
Emergency Wattage	10W
Emergency Onversion Time	<1S
Emergency Operation Time	3.0 Hours
Protection	IP 65, Class I
Ambient Temperature Range	0°C to 50°C

Blue = Neutral (N)
 Green/Yellow = Earth (⊕)
 Brown = Live (L)



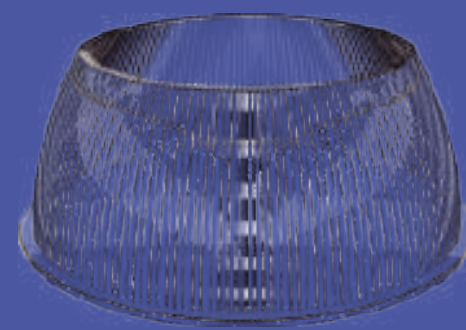


DETAILS



PCB
Lens

The outer ring and inner ring of the lens are tightly fixed to avoid the influence of lens deformation on optics



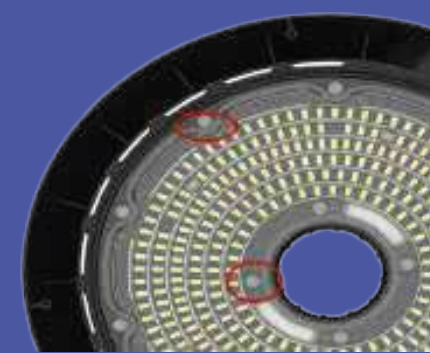
PC reflector



Aluminium reflector



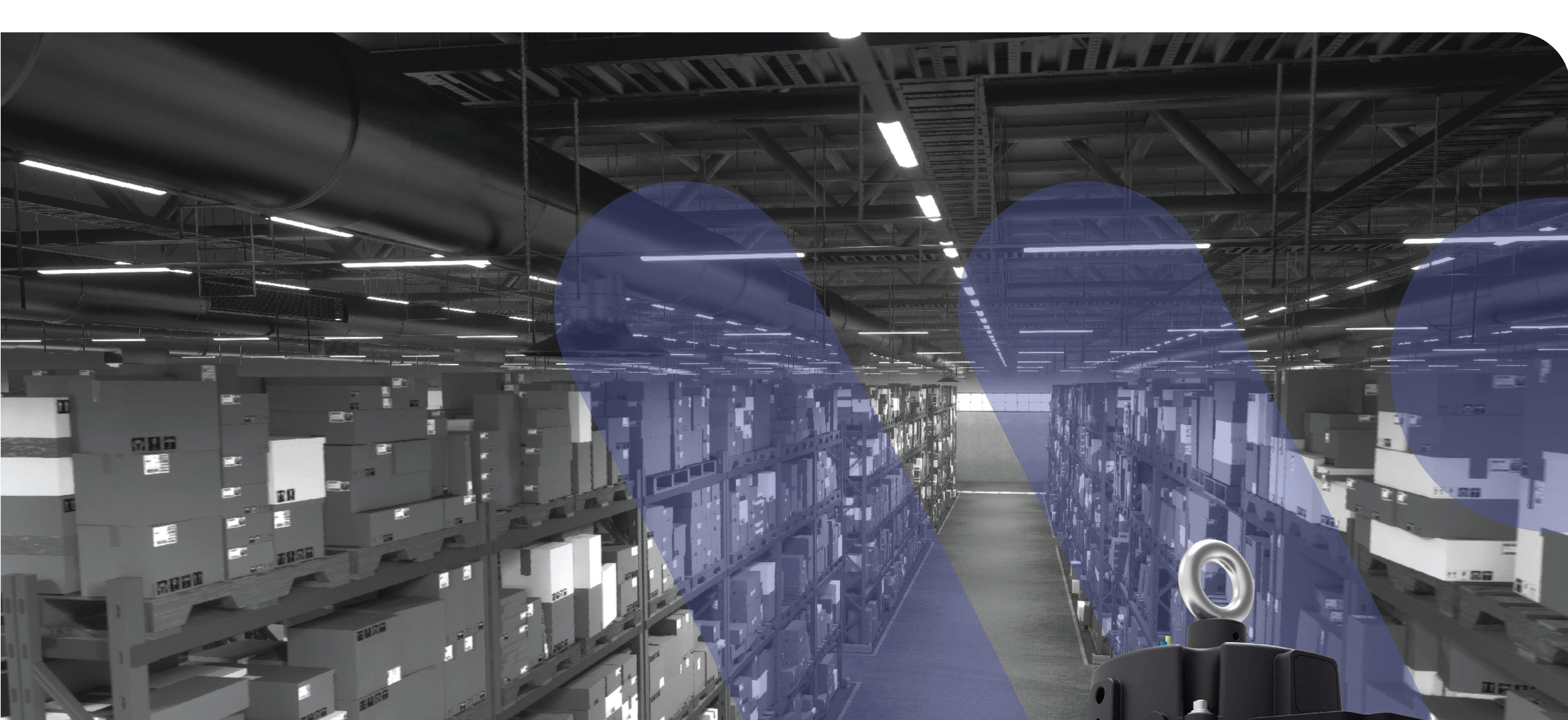
Radiator



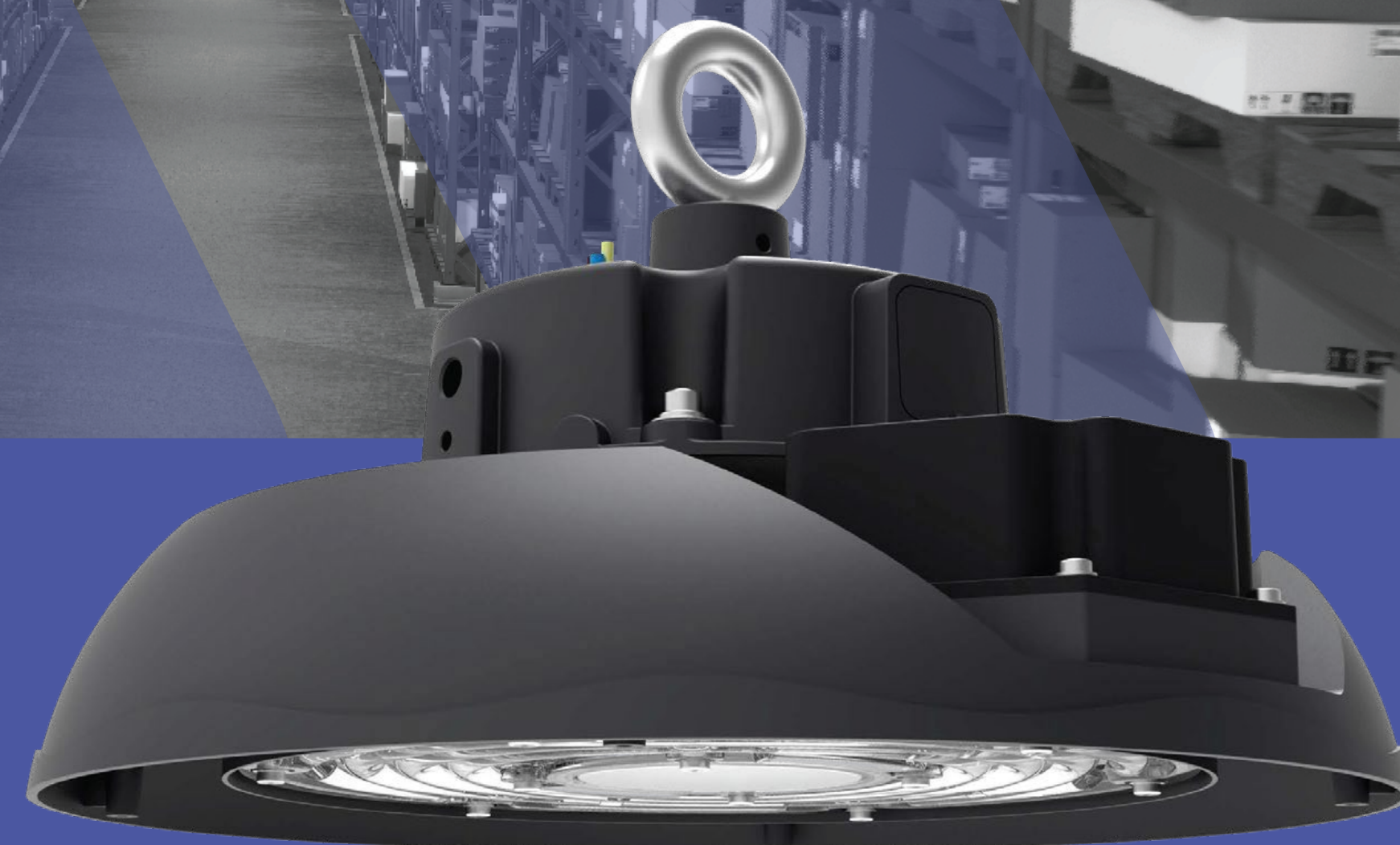
Less glare and spill light due to recessed structure



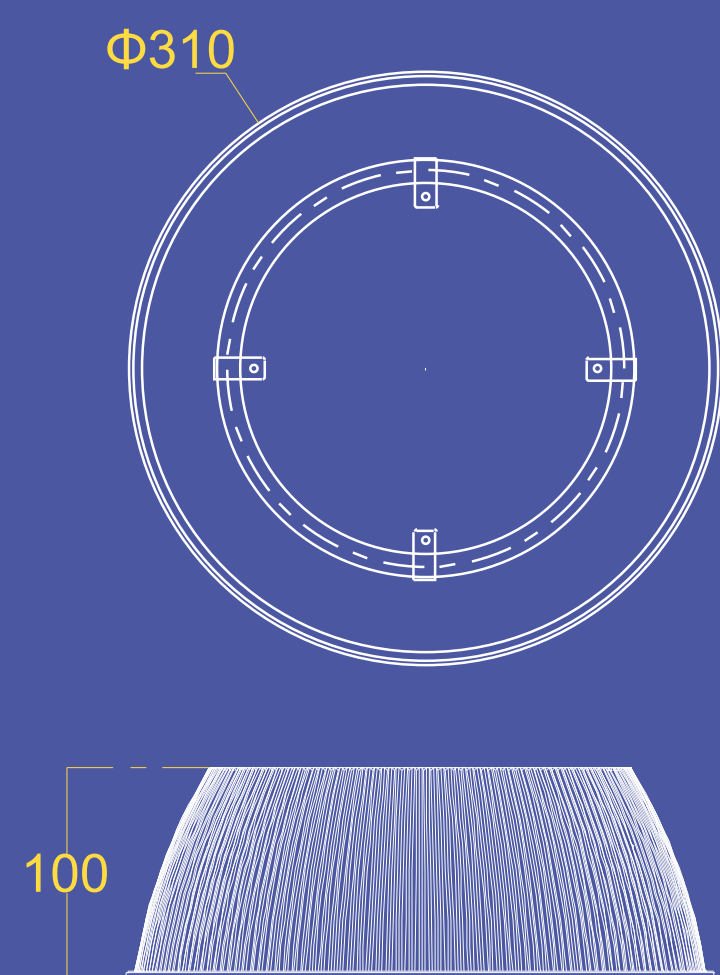
Removable wire connection between the LED driver and the PCB junction box.



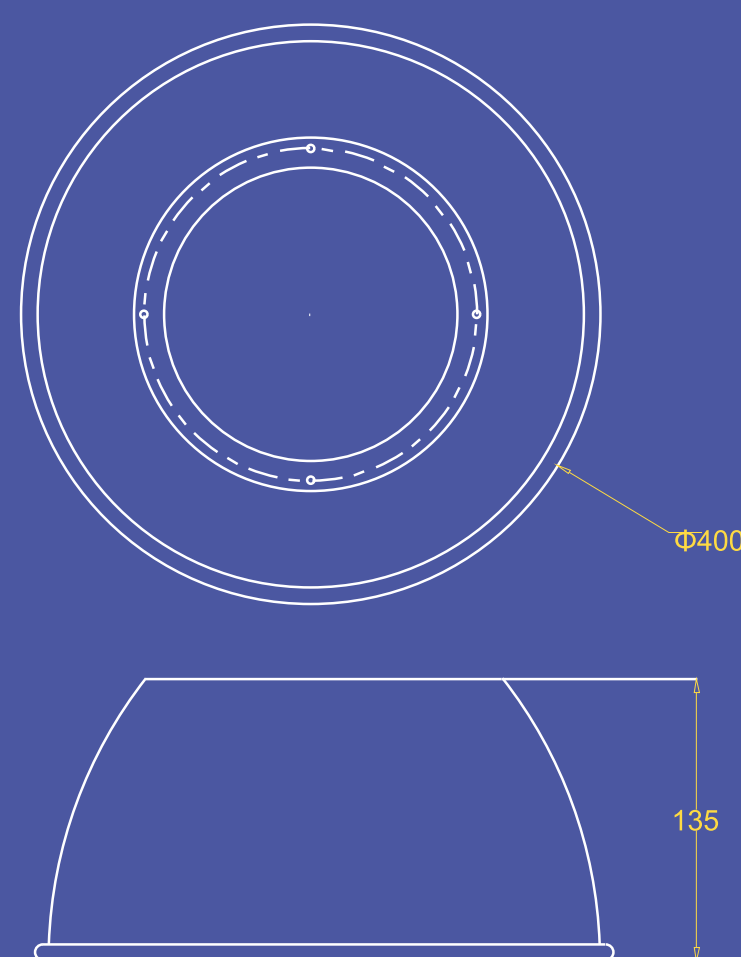
REFLECTOR



Dia259.99

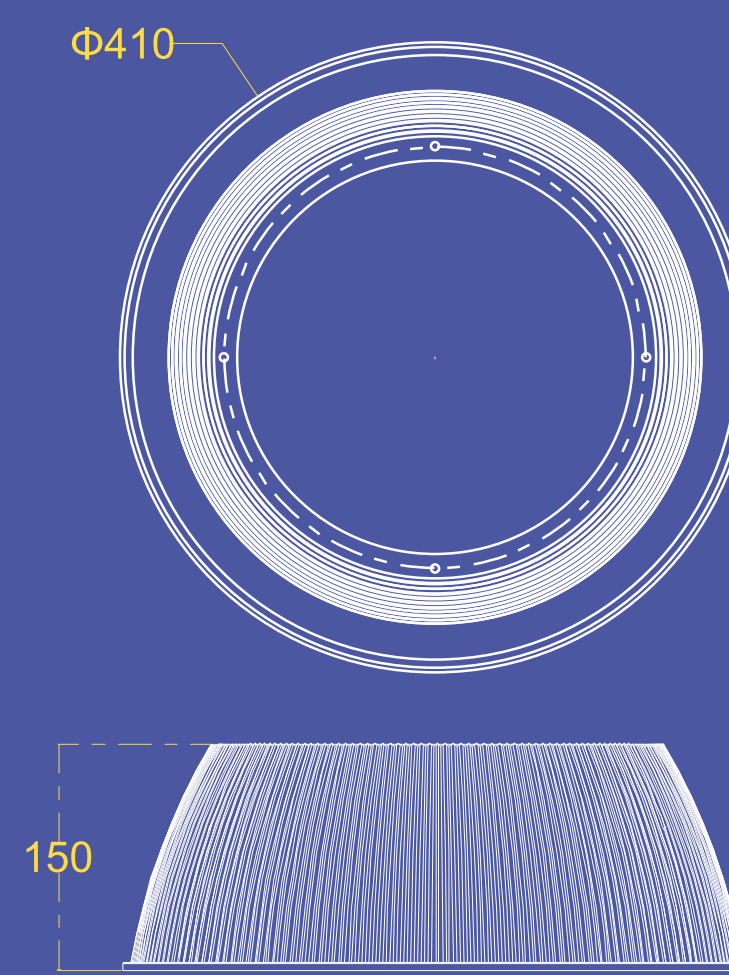


PC (90°)

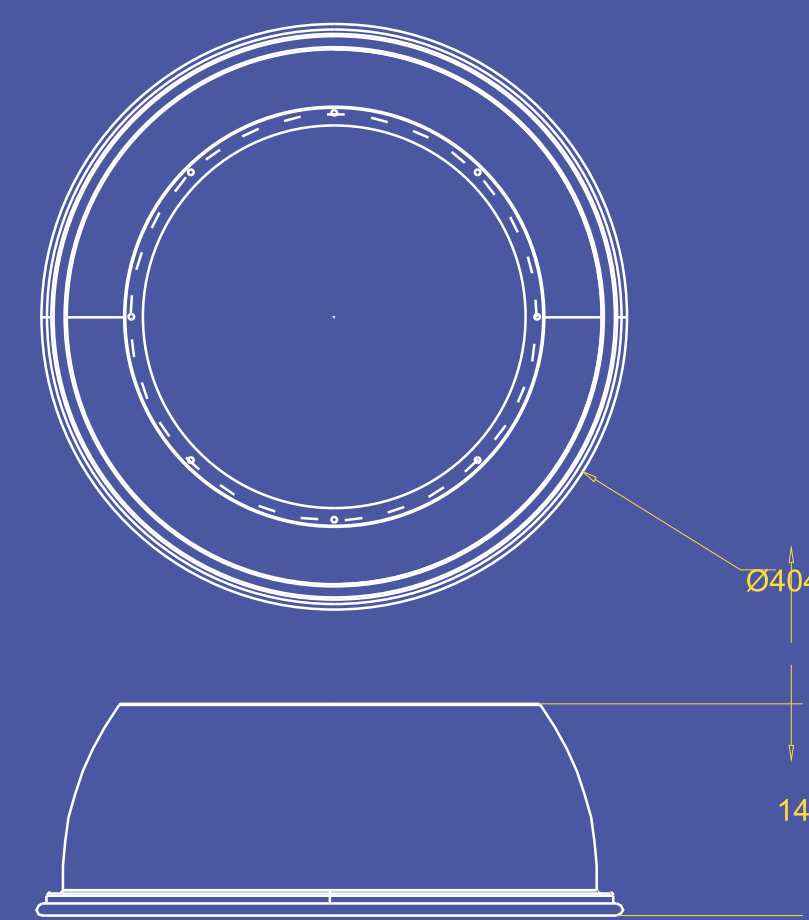


AL (100°)

Dia298.54



PC (90°)



AL (100°)



WHBG4-240-65-90



KEY FEATURES

- ✓ 90° (Optical 60°, 120°)
- ✓ IK10
- ✓ IP65
- ✓ Optional 0~10V Dimming
- ✓ Max 500 Walls
- ✓ Optional DALI 2.0
- ✓ Hook and Yoke Installation

LIGHT DISTRIBUTION CURVE



120°

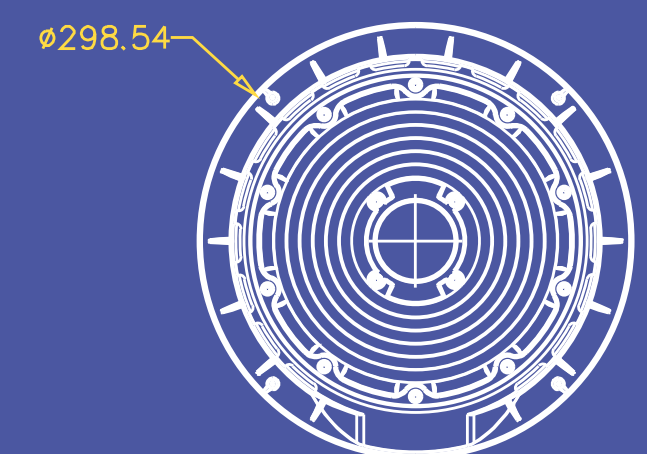
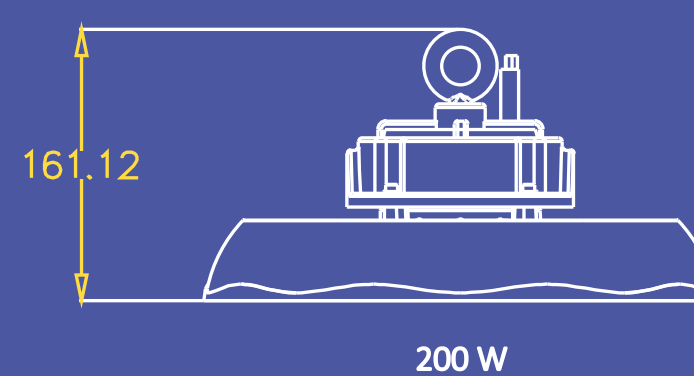
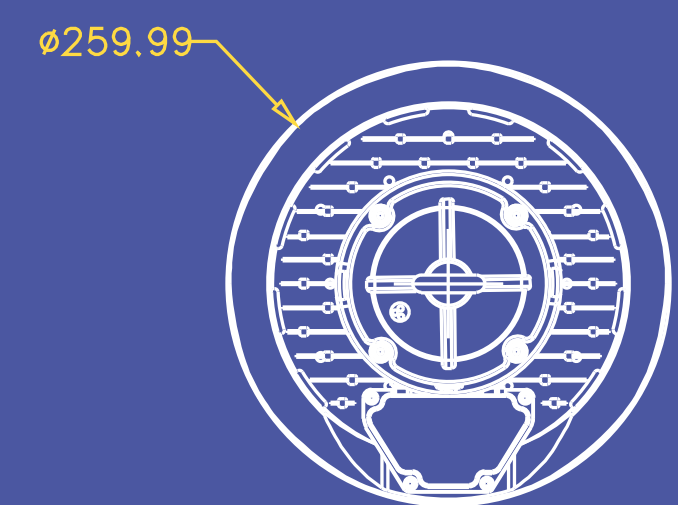
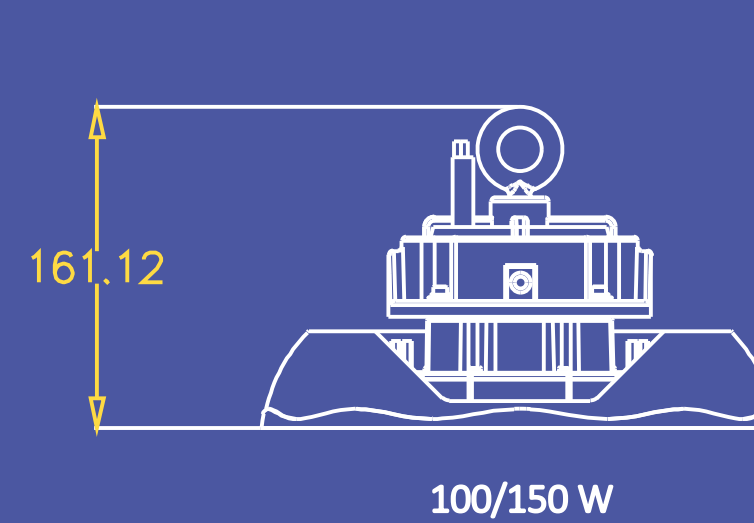


90°



60°

DIMENSIONS MM





SPECIFICATION SHEET



OPTICAL SPECS

Lumen Efficacy 140Lm/W (Optional Max 210Lm/W).

CCT 6500K (Optional 2700K~6500K).

CRI >80.

ELECTRICAL SPECS

Power 240 Watts (Optional 100~200 Watts).

Input Voltage 220~240 Vac.

Power Frequency 50/60 Hz.

Power Factor >0.95.

Total Harmonic Distortion <10%(@230V).

Insulation Grade Class I.

OTHER DETAILS

Lifespan \geq 50,000 Hours.

Operating Temperature -30°C~50°C.

LED Driver Spec SOSEN.

LED Spec SMD 2835.

Optional Dimming DALI,0-10V,PWM,Smart Control Management System.

MECHANICAL SPECS

Color Black.

Lens PC.

Ingress Protection IP65.

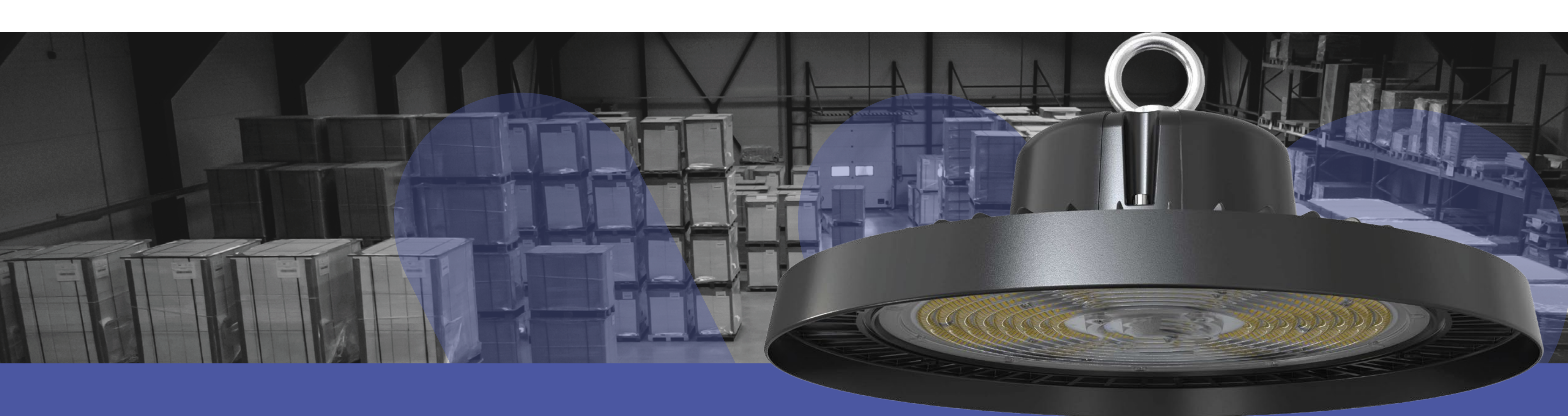
Impact Resistance IK10.

Material Housing:ADC12 Die-cast Aluminium Cover: Polycarbonate.

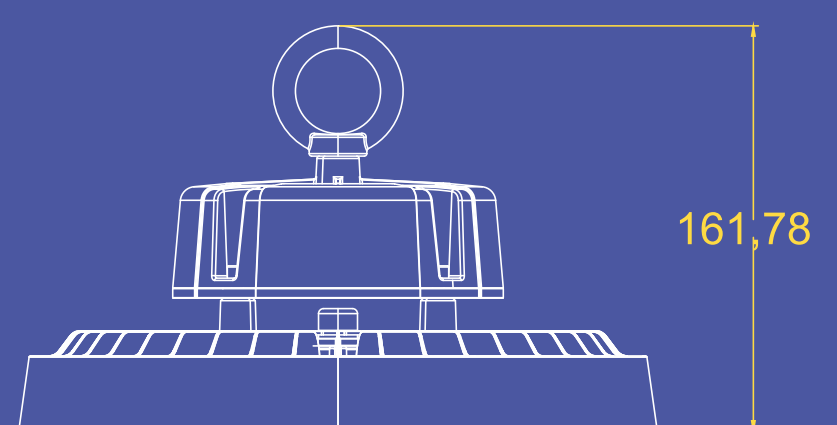
PACKAGE

Power	Package Size (mm)	N.W.(KG)	G.W.(KG)
100W	L290*W290*H140 (mm)	1.2	1.2
150W	L310*W310*H140 (mm)	1.4	1.8
200W	L330*W330*H140 (mm)	1.6	2.0
240W	L380*W380*H140 (mm)	2	2.5
300W	L420*W420*H170 (mm)	3	3.6
400~500W	L540*W540*H210 (mm)	9.6	10.4

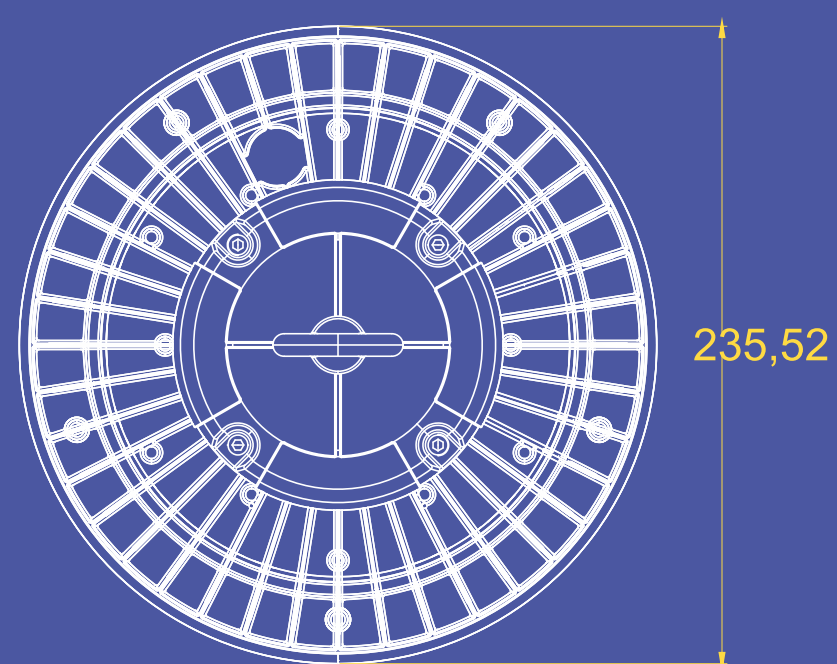




DIMENSIONS (MM)

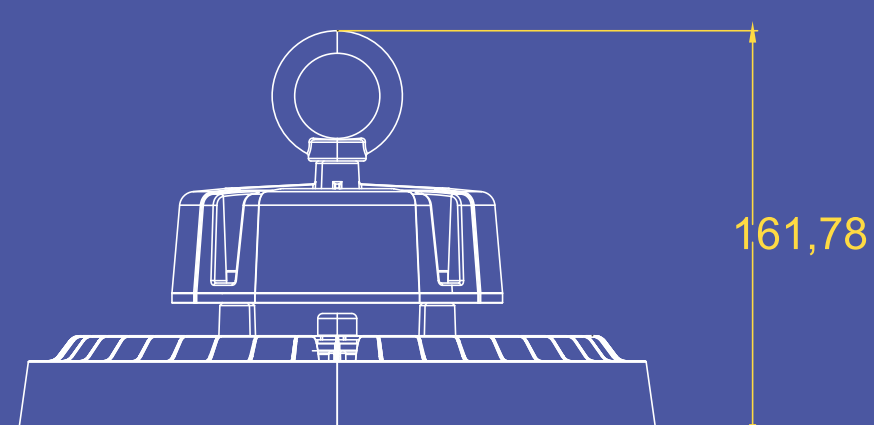


161,78

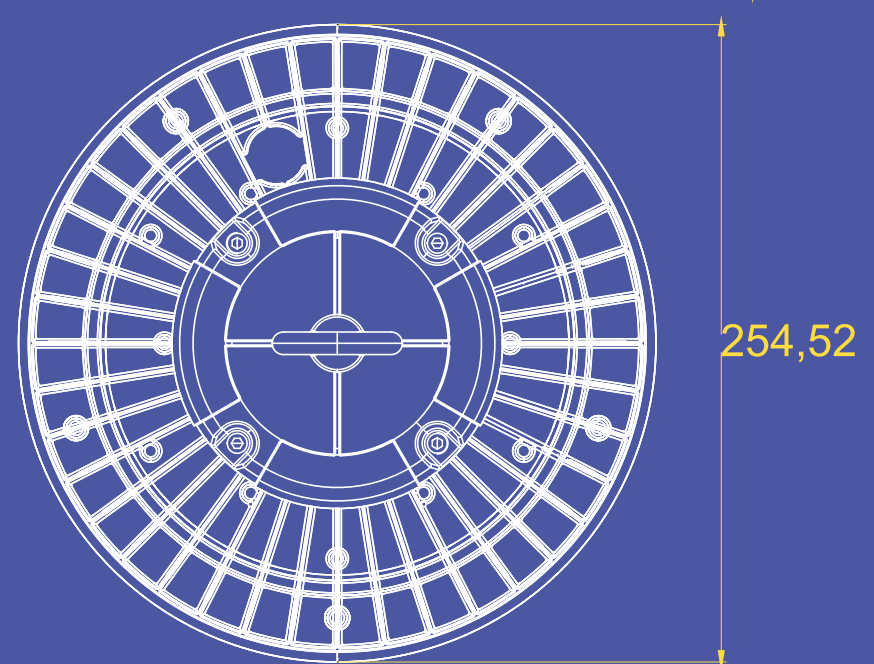


235,52

100W

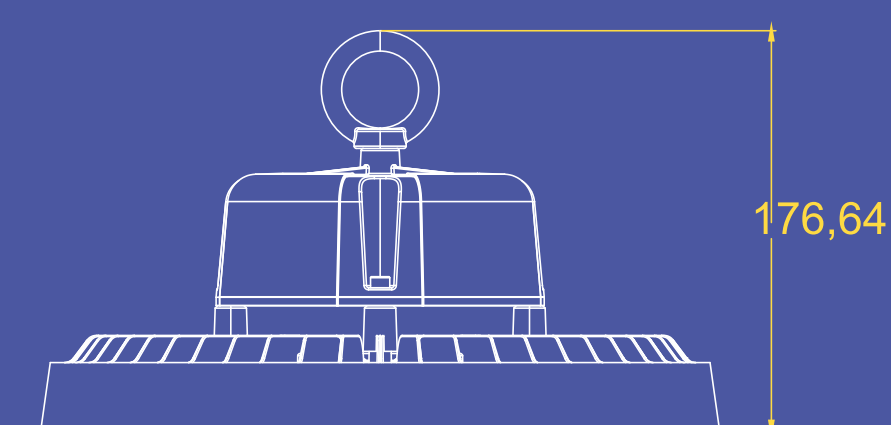


161,78

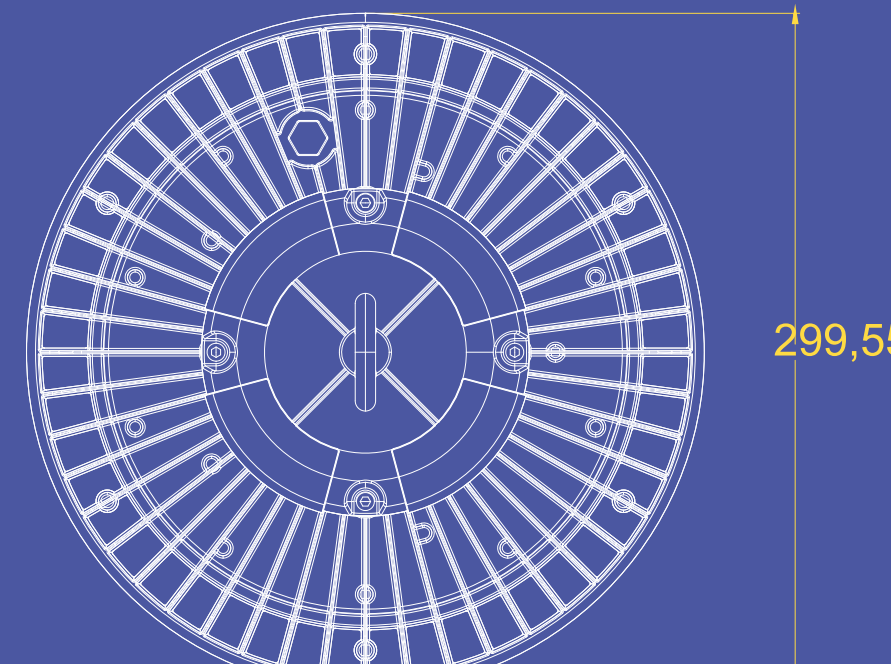


254,52

150W

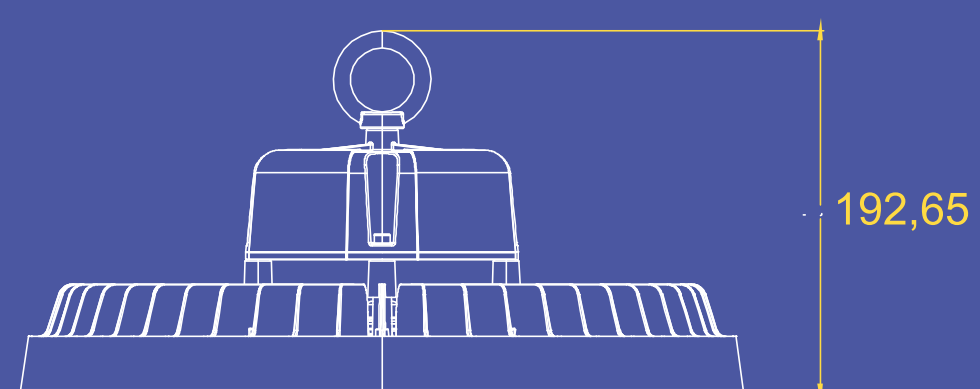


176,64

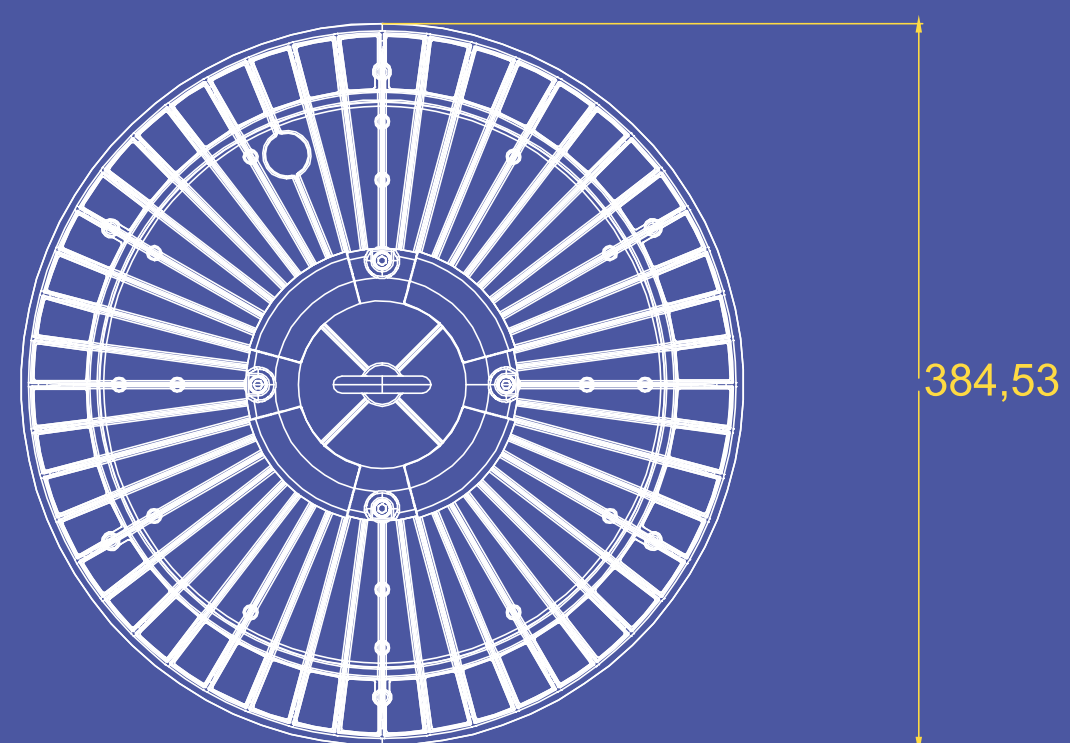


299,55

200W

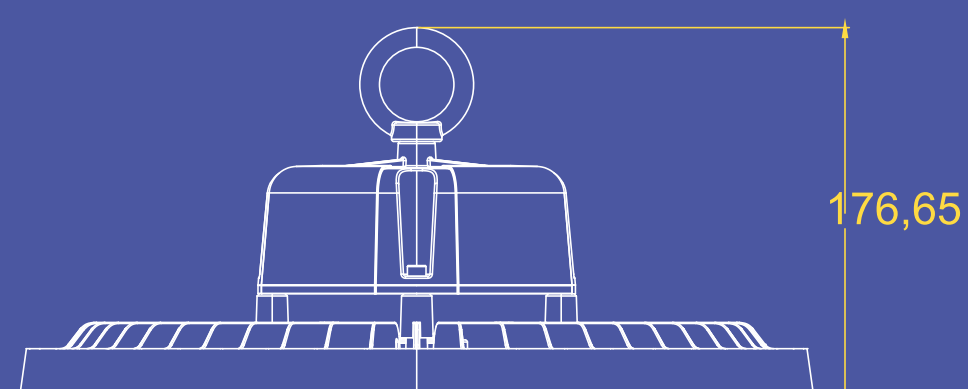


192,65

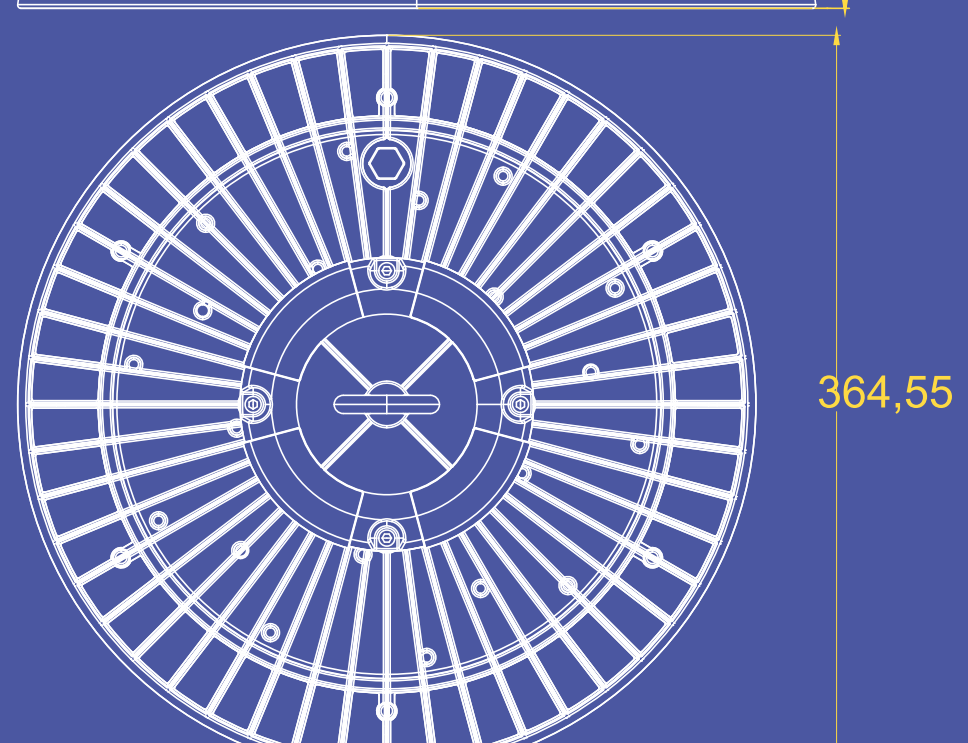


384,53

300W

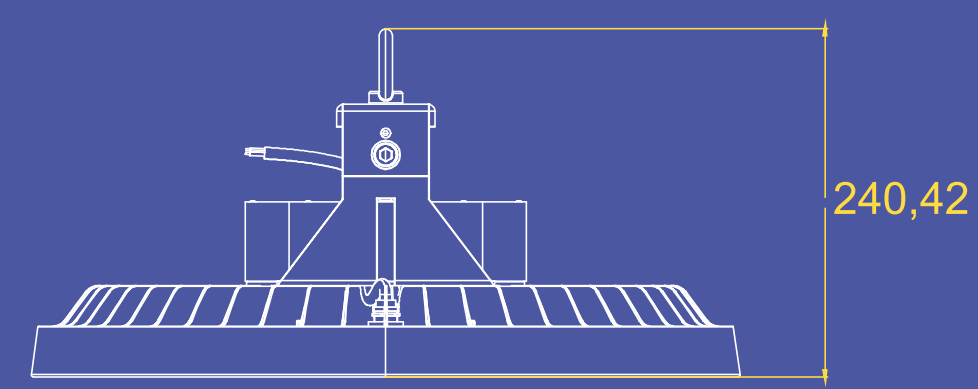


176,65

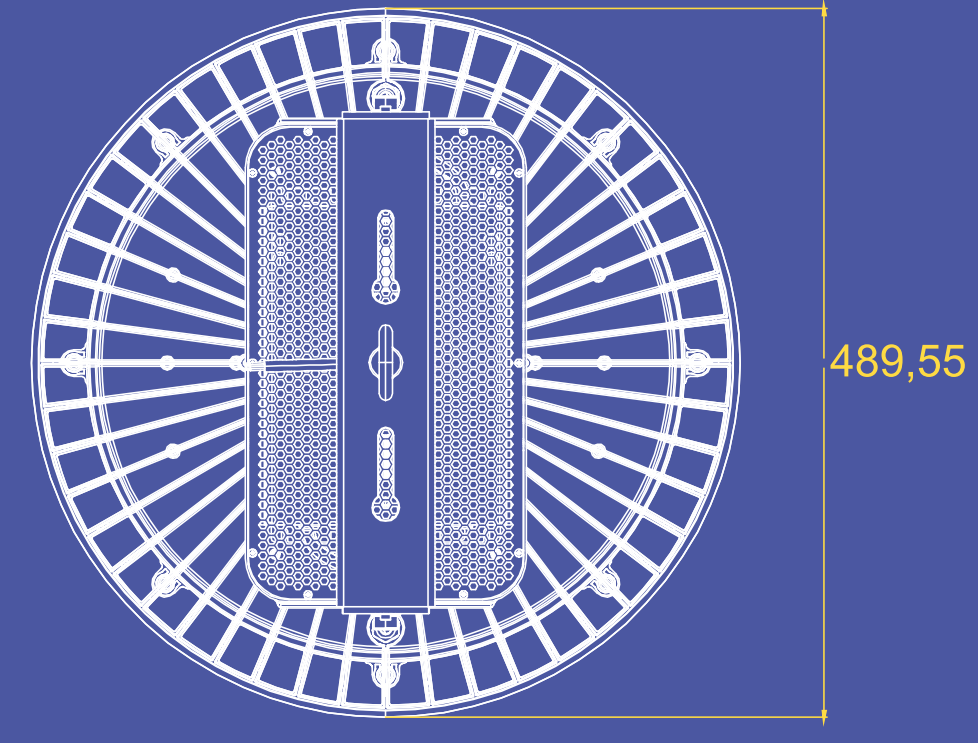


364,55

240W



240,42

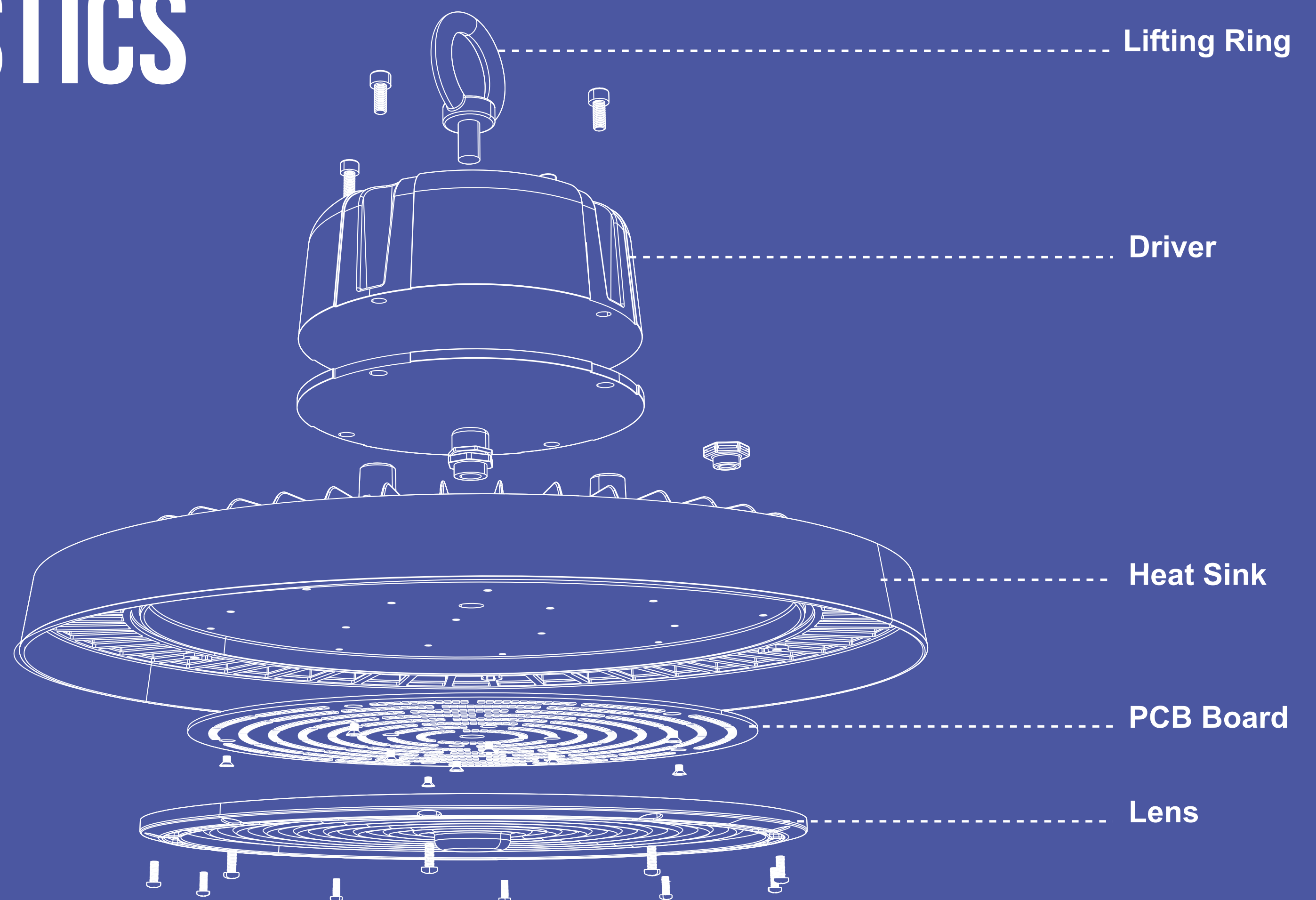


489,55

400~500W



CHARACTERISTICS



WE ARE PROUD TO SERVE



VENDORS

We are proud to be the certified vendors for:



ACCREDITATION



SKYING TEAM

ISO ISO 9001:2015

TECHNICAL DEPARTMENT

COMMERCIAL ADMINISTRATIVE DEPARTMENT

DEVELOPMENT DEPARTMENT

FINANCE DEPARTMENT

WAREHOUSES

Works and Trade Co. Ltd. (WATCO)

Al Khobar, Al Shamalia

King Faisal Street, Fourth Intersection

P.O. Box 1199, Postal Code 31952

Watco@watco.com.sa

00966-8952025

